



LEDONA ROUND

Designed in Germany

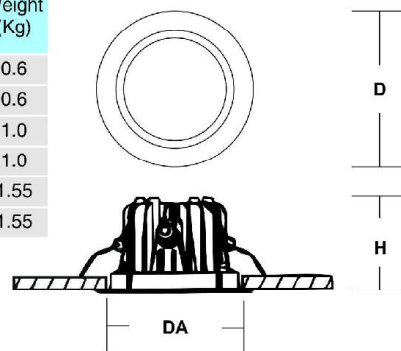


Features

- Mounting : Recessed
- Aluminum powder coated housing.
- Providing beam angle (41°/67°/87°)
- Best in class power LEDs from reputed international companies
- Inbuilt electronic driver
- Body Colour : White

Mechanical Features

Product Code Ledona Round	Size (mm) (Ø x H)	Product Code Ledona Square	Size (mm) (L x W x H)	Cutout Size Ø (mm)	Weight (Kg)
IC 22 10	140 x 85	IC 22 12	130 x 130 x85	120	0.6
IC 22 11	140 x 85	IC 22 13	130 x 130 x85	120	0.6
IC 23 10	180 x 95	IC 23 12	170 x 170 x95	160	1.0
IC 23 11	180 x 95	IC 23 13	170 x 170 x95	160	1.0
IC 24 10	230 x 114	IC 24 12	220 x 220 x114	210	1.55
IC 24 11	230 x 114	IC 24 13	220 x 220 x114	210	1.55



Applications

Offices
Hotels
Auditoriums
Showrooms
Classrooms
Conference Rooms
Shopping Malls
Corridors

LEDONA ROUND

Designed in Germany

Specifications

Input Voltage	: 90 V - 265 V AC
Frequency	: 50/60 Hz
Power Factor @230 VAC	: > 0.9
Colour Temperatures	: 3000 K / 4000 K
Colour Rendering Index	: > 75
Ingress Protection	: IP65
Impact Protection	: IK07
Life Span	: 50,000 Hours
Safety Standard	: EN 60598
EMC/ EMI Standard	: EN61547 / EN55015
Harmonics	: EN61000-3-2 and 61000-3-3

Indoor Lights



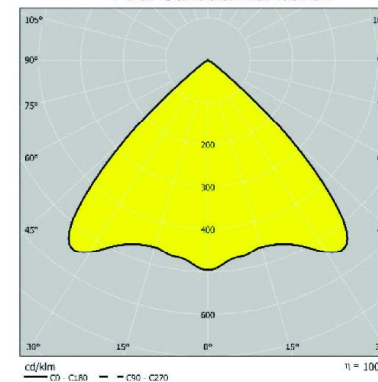
LEDONA SQUARE

Product Code Ledona Square	Product Code Ledona Round	Input Power	System Lumens	Efficiency (Lm/W)	Replacement of	Energy Saving
IC 22 12	IC 22 10	12 Watts	760	63.3	35W CDMT	70 %
IC 22 13	IC 22 11	23 Watts	1520	66.1	70W MH	75 %
IC 23 12	IC 23 10	23 Watts	1600	69.6	70W MH	75 %
IC 23 13	IC 23 11	35 Watts	2600	74.3	150W MH	81 %
IC 24 12	IC 24 10	35 Watts	2600	74.3	150W MH	81 %
IC 24 13	IC 24 11	52 Watts	3440	66.2		

Specifications subject to change

Photometric Data

Polar Candela Distribution



Cone Diagram for 52W IC 24 11

