



PROTON

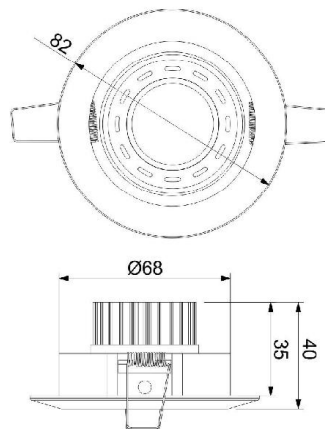
IP
20

Features

- Mounting : Recessed
- Extruded aluminum heat sink, stainless steel housing
- High quality PMMA lens
- Wide beam angle
- Best in class power LEDs from reputed international companies
- Separate electronic driver
- Body Colour : Silver

Mechanical Features

Product Code	Size (mm) (Ø x H)	Cut-Out (Ø) (mm)	Weight (Kg)
IC 21 11	81 X 50	65	0.2



Applications

- Offices
- Hotels
- Restaurants
- Showrooms
- Residences
- Entrance Halls
- Reception

For Pricing Enquiry : sales@GoldwynLED.com

PROTON

Indoor Lights

Specifications

Input Voltage	: 100 V - 260 V AC
Frequency	: 50/60 Hz
Power Factor @230 VAC	: > 0.9
Colour Temperatures	: 3000 K / 4000 K / 6000K
Colour Rendering Index	: > 75
Operating Temperature	: -20° C to 50° C
Ingress Protection	: IP20
Life Span	: 30,000 Hours
Safety Standard	: EN 60598
EMC/ EMI Standard	: EN61547 / EN55015
Harmonics	: EN61000-3-2 and 61000-3-3

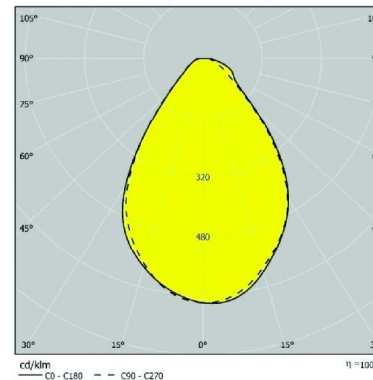
Product Code	Input Power	System Lumens	Replacement of	Energy Saving
IC 21 11	9 Watts	480	50W Halogen	82 %

Specifications subject to change



Photometric Data

Polar Candela Distribution



Cone Diagram

Distance (M)	Illuminance at a Distance	
	Center Beam LUX	Beam Width
0.67M	548 LUX	0.98 M 0.97 M
1.33M	138 LUX	1.96 M 1.93 M
2.00M	61.1 LUX	2.94 M 2.89 M
2.67M	34.3 LUX	3.92 M 3.86 M
3.33M	22.0 LUX	4.90 M 4.82 M
4.00M	15.3 LUX	5.88 M 5.78 M

■ Vert. Spread: 72.6°
■ Horiz. Spread: 71.7°