



ECO Down Lights

IP 20 IP 54

Features

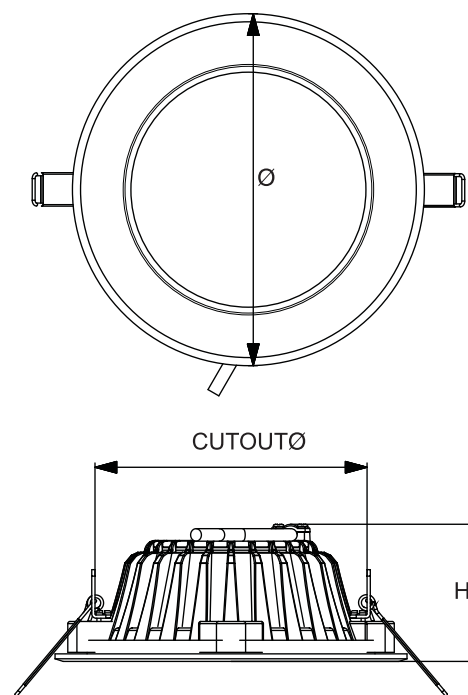
- Mounting: Recessed
- Housing: Pressure die cast aluminium
- Bezels available in three different forms (Deep Round, Flat Round, Deep Square)
- Best in class power LEDs
- Standard Body Colour : White. Other options available.
- Dimming Feature is available

Mechanical Features

Product Code	Size (mm) (Øx H)	Cut-Out (Ø)	Weight (Kg)
DL - 005	92 x 50	75	0.14
DL - 008	122 x 65	105	0.25
DL - 015	185 x 65	160	0.5
DL - 025	255 x 65	225	0.9

Applications

- Offices
- Hotels
- Auditoriums
- Showrooms
- Classrooms
- Staircases & Corridors
- Shopping Malls



For Pricing Enquiry : sales@GoldwynLED.com

ECO

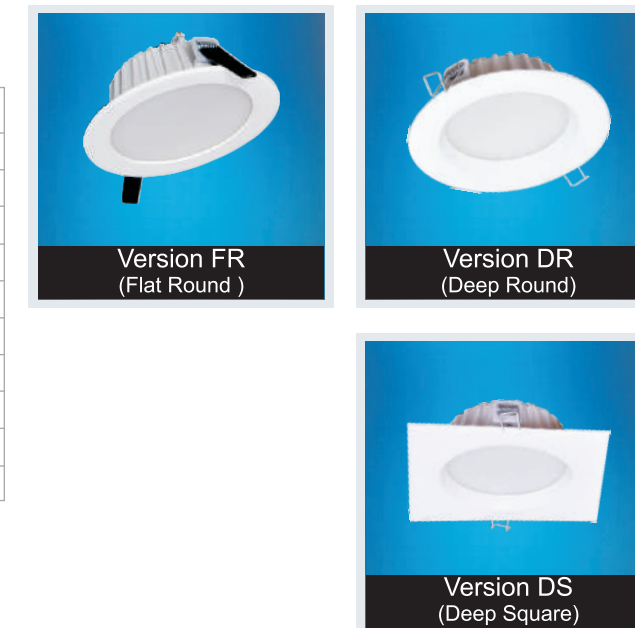
Down Lights

Specifications

Input Voltage	: 170 V - 270 V AC
Frequency	: 50/60 Hz
Power Factor @230 VAC	: > 0.9
Colour Temperatures	: 3000 K / 4000 K / 6000K
Colour Rendering Index	: > 80
Lumen Efficacy	: Up to 100 Lumen / W
Ingress Protection	: IP20 / IP54
Life Span	: 50,000 Hours
Safety Standard	: IEC 60598
EMC/ EMI Standard	: IEC61547 / EN55015
Harmonics	: IEC 61000-3-2

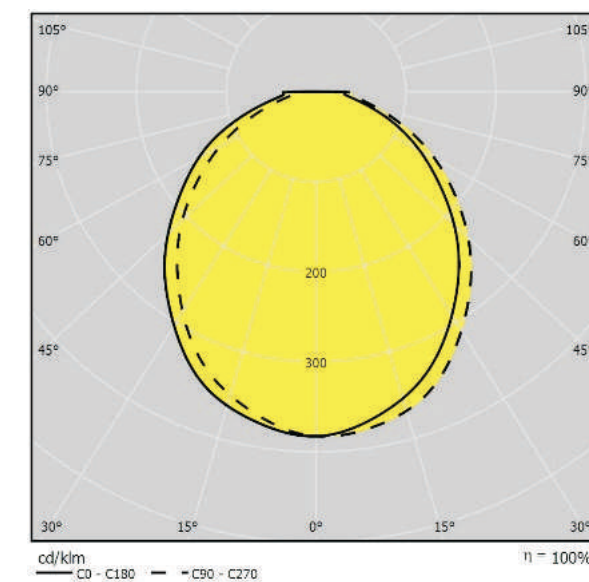
Product Code	Input Power	System Lumens	Replacement of	Energy Saving
DL - 005	5 Watts	500	1 x 13W CFL	67 %
DL - 008	8 Watts	800	2 x 11W CFL	69 %
DL - 015	15 Watts	1500	2 x 18W CFL	61 %
DL - 025	25 Watts	2500	70W MH	73 %

Specifications subject to change



Photometric Data

Polar Candela Distribution



Cone Diagram for DL - 025

Distance (M)	Illuminance at a Distance	
	Center Beam LUX	Beam Width
0.83M	1,228 LUX	1.84 M 1.88 M
1.67M	306 LUX	3.69 M 3.76 M
2.50M	136 LUX	5.54 M 5.64 M
3.33M	76.4 LUX	7.39 M 7.53 M
4.17M	49.0 LUX	9.23 M 9.41 M
5.00M	34.0 LUX	11.08 M 11.29 M

■ Vert. Spread: 95.9°
■ Horiz. Spread: 96.9°