



EDGE Street Light



Features

- Mounting: Pole
- Housing: Pressure Die Cast Aluminium
- Multiple Designs to select from
- Matrix of high power high efficacy SMD LED's.
- Inbuilt electronic driver
- Standard Body Colour: Grey/ Black
- Cover : Toughened Glass

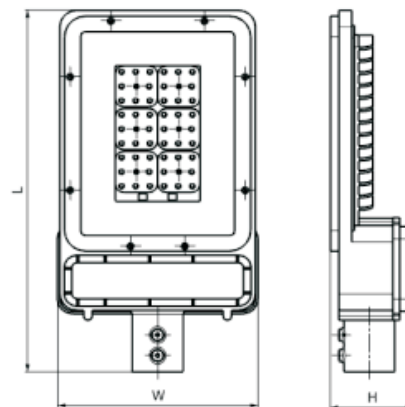
Mechanical Features

Product Code	Size (mm) (L x B x H)	Mounting Pole OD (mm)	Weight (Kg)
SL - 025	332 x 140 x 86	ø40	2.3
SL - 036	332 x 140 x 86	ø40	2.3
SL - 045	332 x 140 x 86	ø40	2.3
SL - 072	400 x 195 x 100	ø50	3.5
SL - 090	440 x 230 x 108	ø50	3.5

Applications

- Street Lighting
- Parking Area
- Campus Area
- Solar System
- Parks

Mechanical Diagram



For Pricing Enquiry : sales@GoldwynLED.com

EDGE

Specifications

Input Voltage	: 170 V - 270 V AC
Frequency	: 50/60 Hz
Power Factor @230 VAC	: > 0.9
Colour Temperatures	: 3000 K / 4000 K / 6000 K
Colour Rendering Index	: > 70
Lumen Efficacy	: 100 Lumen per Watt
Ingress Protection	: IP65 / IP66
Life Span	: 50,000 Hours
Safety Standard	: IEC 60598
EMC/ EMI Standard	: IEC61547 / EN55015
Harmonics	: IEC 61000-3-2

Options Available

- Analog (1-10V) / PWM/ resistive dimming
- Surge protector upto 10KV/ 20KV
- Advanced surge protector with upper and lower voltage cutoff and recovery with 10 KV protection.
- LDR based ON/OFF and dimming.
- Dimming and ON/OFF interface with astronomical timer.
- GSM/ GPRS based centrally controlled monitoring system.

Product Code	Input Power	System Lumens	Replacement of	Energy Saving
SL - 025	25 Watts	2500	1 x 58W FTL	70%
SL - 036	36 Watts	3600	70W MH	70%
SL - 045	45 Watts	4500	70W MH	70%
SL - 072	72 Watts	7200	150W HPSV	70%
SL - 090	90 Watts	9000	250W HPSV	70%

Street Light



Photometric Data

*Polar Candela Distribution

