

KAPSULE



Applications

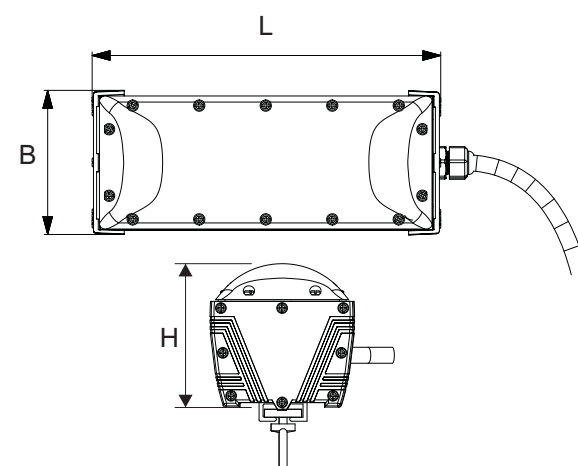
- Tunnels
- Viaducts
- Well Glass Applications
- Industrial Unit
- Railway Workshops

Features

- Mounting : Suspended / Wall / Surface
- Extruded Aluminium housing for excellent heat dissipation.
- Impact resistance high transmittance transparent top cover
- Different high quality lenses for different applications.
- Best in class power LEDs
- Inbuilt electronic driver
- Standard Body Colour :Natural Anodised, Other options available.

Mechanical Features

Product Code	Size (mm) (L x B x H)	Weight (Kg)
XT 02 12	260 x 108 x 118	2.2
XT 02 11	260 x 108 x 118	2.2
XT 02 51	515 x 108 x 155	4.5
XT 02 61	260 x 216 x 160	5.5



For Pricing Enquiry : sales@GoldwynLED.com

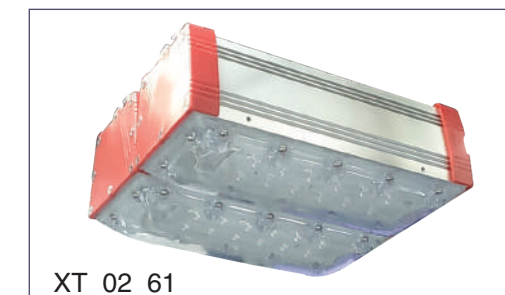
KAPSULE

Specifications

Input Voltage	: 170 V - 270 V AC
Frequency	: 50/60 Hz
Power Factor @230 VAC	: > 0.9
Colour Temperatures	: 3000 K / 4000 K / 6000 K
Colour Rendering Index	: > 70
Lumens Efficacy	: > 100 Lumens per Watt
Operating Temperature	: -20° C to 50° C
Ingress Protection	: IP67
Impact Protection	: IK10
Life Span	: 50,000 Hours
Safety Standard	: IEC 60598
EMC/ EMI Standard	: IEC61547 / EN55015
Harmonics	: IEC 61000-3-2



XT 02 51



XT 02 61

Product Code	Input Power	System Lumens	Replacement of	Energy Saving
XT 02 12	25 Watts	2500	1 x 36 W CFL	36 %
XT 02 11	30 Watts	3000	1 x 24 W CFL	44 %
XT 02 51	50 Watts	5000	2 x 36 W FTL	45 %
XT 02 61	50 Watts	5000	2 x 36 W FTL	45 %

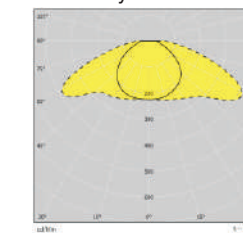
Specifications subject to change

Cone Diagram for 30W XT 02 11

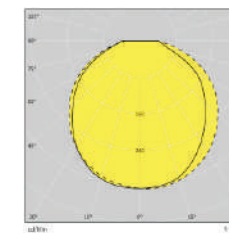
Distance (M)	Illuminance at a Distance	
	Center Beam LUX	Beam Width
0.67M	6,627 LUX	0.58 M
1.33M	1,664 LUX	1.15 M
2.00M	739 LUX	1.73 M
2.67M	415 LUX	2.31 M
3.33M	266 LUX	2.89 M
4.00M	185 LUX	3.46 M

■ Vert. Spread: 46.8°
■ Horiz. Spread: 47.1°

Asymmetric



Without Lens



Photometric Data

*Polar Candela Distribution

