



PATHFINDER A1 Emergency Exit Signage

Applications

- Airport
- Station
- Office Complex
- Shopping Mall
- Hotel
- Hospital
- Cinema Hall
- Convention Hall
- Exhibition Hall
- Sports Stadium
- Apartment Complex

Operating Specifications

Input Voltage	: 190 V - 265 V AC
Battery	: Self-contained Ni Cd Battery
Battery Back-up	: 3 Hours
Frequency	: 50/60 Hz
Colour Temperatures	: 6000 K
Optics	: Acrylic Diffuser
Average Luminance (White):	500 cd/m ²
Uniformity	: 0.2

Indication of Battery and Self Diagnostics Status

Function test	Weekly 5 minutes test duration
Duration test	The 52 nd function test is a duration test of 3 hours
Green continuously	Mains available, Charging OK
Off	No mains available or emergency mode
Red flashing (1Hz)	Lamp source faulty
Red continuously	Battery failure
TEST	Test mode

PATHFINDER

Emergency Exit Signage

Essential Features

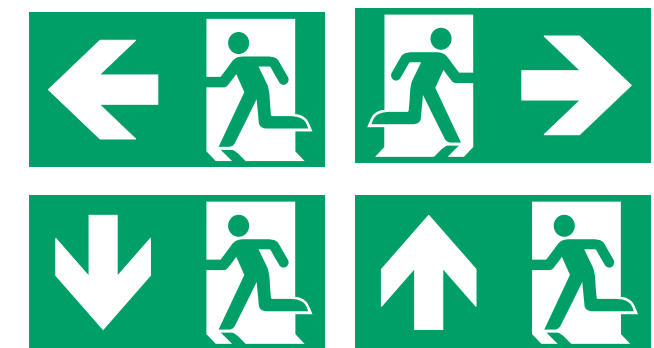
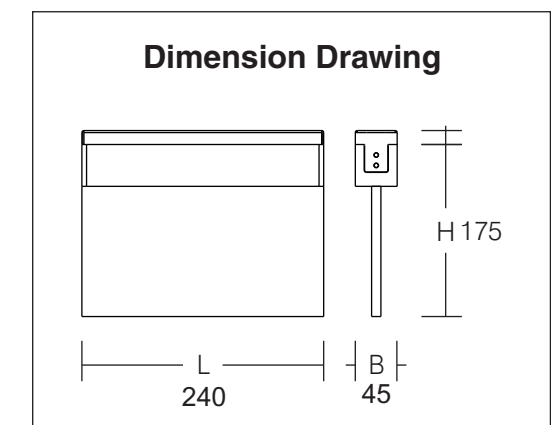
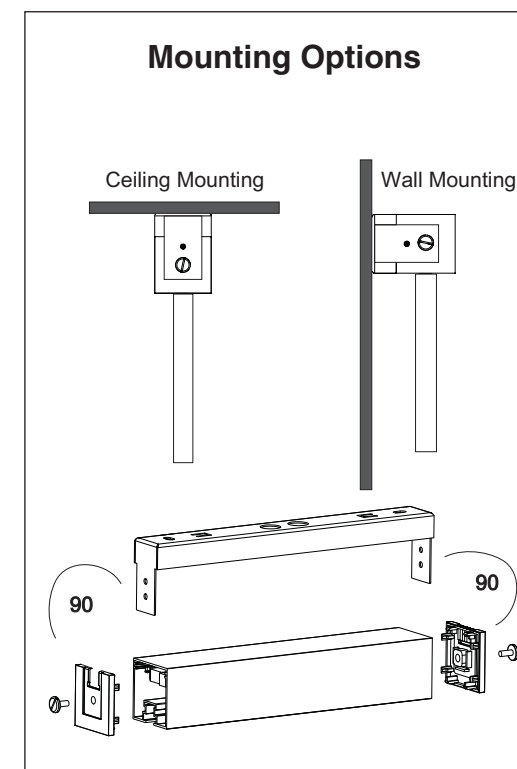
- Ingress Protection 20
- Standard Automatic Self Test
- Suitable for mounting on either a ceiling or a wall by simply changing the end caps
- Safety Standard : IEC 60598
- Emergency Lighting Standard : EN1838 /CIE S 020 (2007)

Electromagnetic Compatibility EMC Standard	IEC61547 for EMC Immunity	EN 55015 for Disturbance Measurement
---	------------------------------	--

Electromagnetic Compatibility is essential to prevent Electromagnetic Interference which disturbs the operation of Mobile Phones, Pacemakers, Internet Operation and can cause data loss.

Product Code	Product Name	Size (mm) (L x B x H)	Input Power	Viewing Distance (m)	Weight (Kg)
EXA1 - 006	Pathfinder A1	240 x 45 x 175	4 Watts	24	1.02

Specifications subject to change



4 Different Pictograms for Exit Signage