



## PATHFINDER C1 Emergency Exit Signage

### Applications

Airport
Station
Office Complex
Shopping Mall
Hotel
Hospital
Cinema Hall
Convention Hall
Exhibition Hall
Sports Stadium
Apartment Complex

### Operating Specifications

Input Voltage	: 190 V - 265 V AC
Battery	: Self-contained Ni Cd Battery
Battery Back-up	: 3 Hours
Frequency	: 50/60 Hz
Colour Temperatures	: 6000 K
Optics	: Acrylic Diffuser
Average Luminance (White):	500 cd/m <sup>2</sup>
Uniformity	: 0.2

### Indication of Battery and Self Diagnostics Status

Function test	Weekly 5 minutes test duration	
Duration test	The 52 <sup>nd</sup> function test is a duration test of 3 hours	
● 👍	Green continuously	Mains available, Charging OK
○ 💡	Off	No mains available or emergency mode
⚡ 🔴	Red flashing (1Hz)	Lamp source faulty
🔴 🔋	Red continuously	Battery failure
🔄 TEST	Red / Green alternating	Test mode

## PATHFINDER

## Emergency Exit Signage

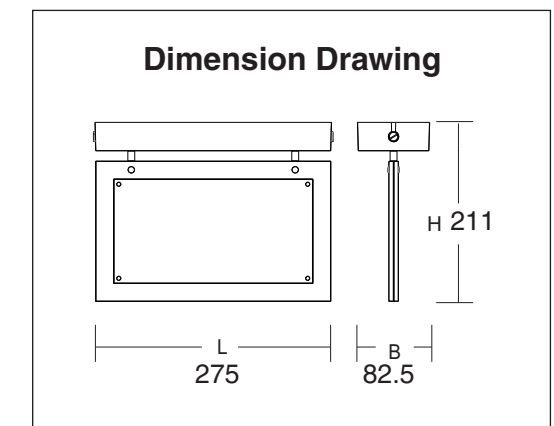
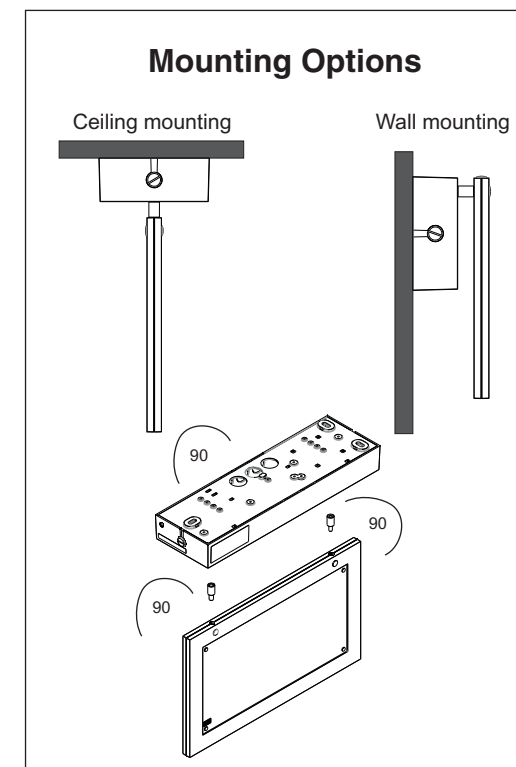
### Essential Features

- Ingress Protection 20
- Standard Automatic Self Test
- Suitable for mounting on either a ceiling or a wall by simply changing the end caps
- Safety Standard : IEC 60598
- Emergency Lighting Standard : EN1838 /CIE S 020 (2007)

Electromagnetic Compatibility EMC Standard	IEC61547 for EMC Immunity	EN 55015 for Disturbance Measurement
Electromagnetic Compatibility is essential to prevent Electromagnetic Interference which disturbs the operation of Mobile Phones, Pacemakers, Internet Operation and can cause data loss.		

Product Code	Product Name	Size (mm) (L x B x H)	Input Power	Viewing Distance (m)	Weight (Kg)
EXC1-006	Pathfinder C1	275 x 82.5 x 211	4 Watts	24	0.85

Specifications subject to change



4 Different Pictograms for Exit Signage