

## SECURA Emergency Safety Light

Product Design Registered

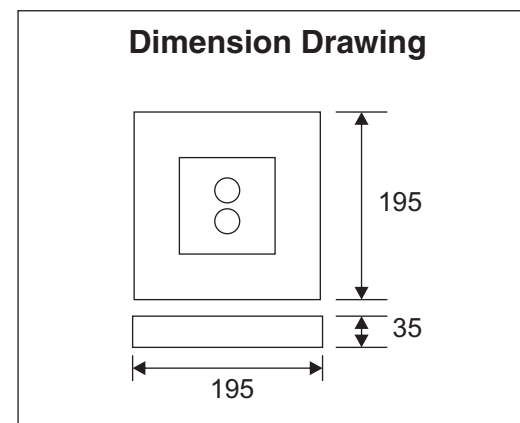
### Operating Specifications

Input Voltage	: 190 V - 265 V AC
Battery	: Self-contained Ni Cd Battery
Battery Back-up	: 3 Hours
Frequency	: 50/60 Hz
Optics	: Acrylic Lens / Diffuser

### Applications

Airport
Station
Office Complex
Shopping Mall
Hotel
Hospital
Cinema Hall
Convention Hall
Exhibition Hall
Sports Stadium
Apartment Complex
Defence Installation

### Dimension Drawing



## SECURA

## Emergency Safety Light

### Essential Features

- Mounting : Universal Mounting Kit for Surface and Wall mounting
- Automatic self test in all standard versions
- Non-Maintained Power Mode / Maintained Power Mode
- Body Colour : White
- Safety Standard : IEC 60598
- Emergency Lighting Standard : EN1838 /CIE S 020 (2007)

Electromagnetic Compatibility EMC Standard	IEC 61547 for EMC Immunity	EN 55015 for Disturbance Measurement
---	-------------------------------	--

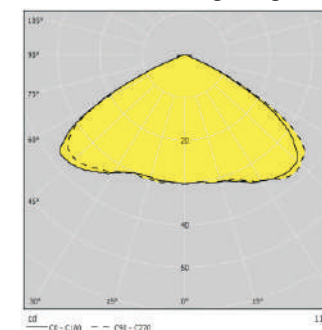
Electromagnetic Compatibility is essential to prevent Electromagnetic Interference which disturbs the operation of Mobile Phones, Pacemakers, Internet Operation and can cause data loss.

Product Code	Product Name	Size (mm) (L x B x H)	Input Power	Weight (Kg)
EMSE-006	Secura Escape	195 x 195 x 35	6 Watts	1.1
EMSA-006	Secura Area	195 x 195 x 35	6 Watts	1.1

Specifications subject to change

### SECURA Emergency Lights are available with 2 different lens options

#### Wide Angle Lens for Area Lighting



#### Linear Angle Lens for Escape Route Lighting

