



KRYSTAL

IP
40

Applications

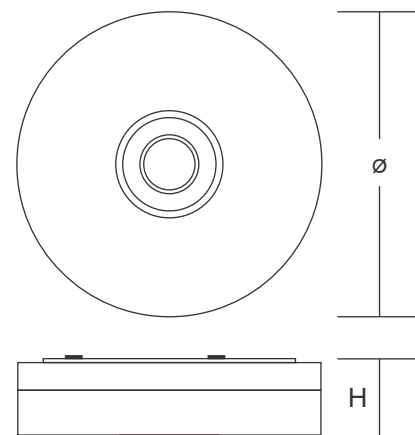
- Hotels
- Restaurants
- Showrooms
- Entrance Halls
- Cinema Halls
- Luxury Homes

Features

- Mounting: Suspension / Surface
- Stainless Steel base and canopy
- 3-point Suspension steel cable.
- Best in class power LEDs
- 3 layered Opal Glass diffuser, Satin finish
- Inbuilt electronic driver
- Body Colour : Stainless Steel brushed

Mechanical Features

Product Code	Size (mm) (L x B x H)	Weight (Kg)
IC 31 12	300 X 76	4Kg.



For Pricing Enquiry : sales@GoldwynLED.com

KRYSTAL

Specifications

Input Voltage	: 230 V AC
Frequency	: 50/60 Hz
Power Factor @230 VAC	: > 0.9
Colour Temperatures	: 3000 K / 4000 K
Colour Rendering Index	: > 75
Operating Temperature	: -20° C to 50° C
Ingress Protection	: IP40
Life Span	: 50,000 Hours
Safety Standard	: IEC 60598
EMC/ EMI Standard	: IEC61547 / EN55015
Harmonics	: IEC 61000-3-2

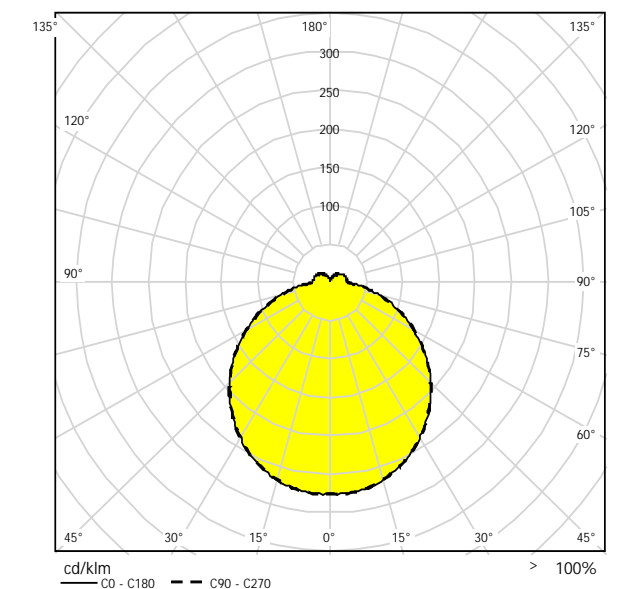
Product Code	Input Power	System Lumens
IC 31 12	25 Watts	1900

Specifications subject to change



Photometric Data

Polar Candela Distribution



Illuminance at a Distance		
	Center Beam LUX	Beam Width
1.00M	536 LUX	3.48 M
2.00M	134 LUX	6.96 M
3.00M	59.6 LUX	10.44 M
4.00M	33.5 LUX	13.92 M
5.00M	21.4 LUX	17.40 M
6.00M	14.9 LUX	20.89 M

■ Beam Spread: 120.2°

cd/klm
— C0 - C180 - - C90 - C270 > 100%