



## METEOR BOLLARD

Product Design Registered



### Applications

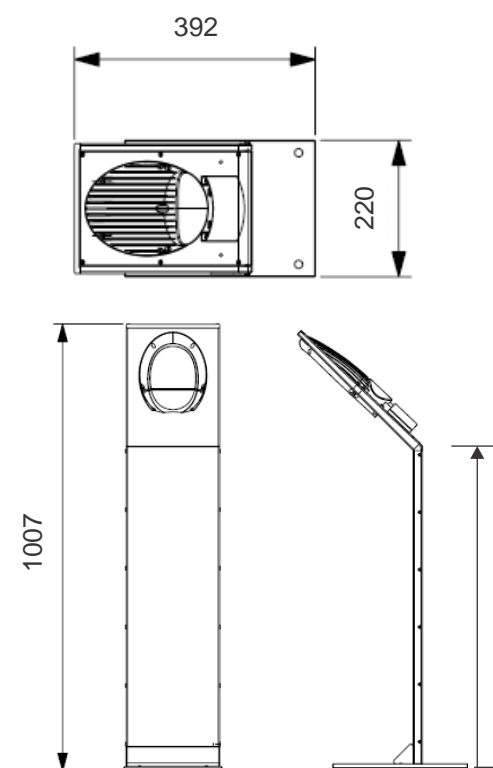
- Parks
- Pathways
- Urban Estates
- Campuses
- Roundabouts
- Public Outdoor Light

### Features

- Mounting: Ground
- High Grade pressure die cast aluminium heat sink
- High Impact resistant clear/opal polycarbonate cover
- High corrosion resistant powder coating for excellent durability
- Best in class power LEDs
- Inbuilt electronic driver
- External surge protection of 10KV available
- Standard Body Colour : Black. Other options available

### Mechanical Features

Product Code	Size (mm) L x B x H	Weight
ME 01 11	1007 x 220 x 392	9 Kg.
ME 01 12	1007 x 220 x 392	9 Kg.



For Pricing Enquiry : [sales@GoldwynLED.com](mailto:sales@GoldwynLED.com)

## METEOR

### Specifications

Input Voltage	: 100 V - 265 V AC
Frequency	: 50/60 Hz
Power Factor @230 VAC	: > 0.9
Colour Temperatures	: 3000 K / 4000 K / 6000 K
Colour Rendering Index	: > 70
Lumen Efficacy	: > 90 Lumens per Watt
Operating Temperature	: -20° C to 50° C
Ingress Protection	: IP65
Impact Protection	: IK10
Life Span	: 50,000 Hours
Safety Standard	: IEC 60598
EMC/ EMI Standard	: IEC61547 / EN55015
Harmonics	: IEC 61000-3-2

Product Code	Input Power	System Lumens
ME 01 11	12 Watts	1000
ME 01 12	20 Watts	1600

Specifications subject to change

## Bollard



### Photometric Data

\*Polar Candela Distribution

