



## SYMPHONY

IP  
20

### Features

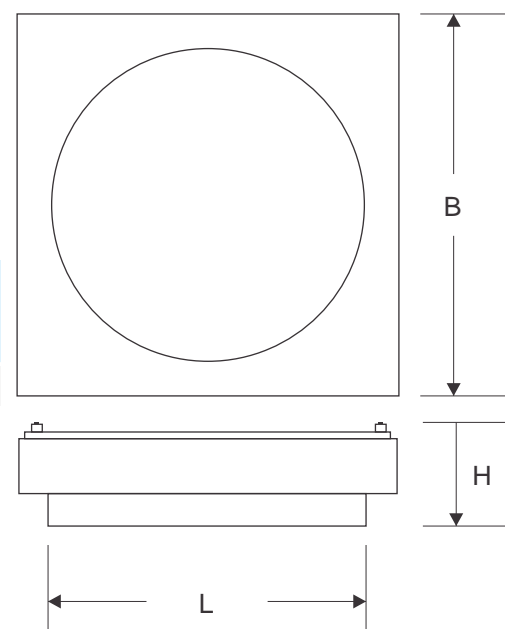
- Mounting: Wall
- Fitting: Anodised aluminium with brushed finish
- Clear glass, Centre portion partial white masking
- Best in class power LEDs
- Mounting screws in stainless steel
- Inbuilt electronic driver
- Standard Body Colour: Silver. Other options available.

### Mechanical Features

Product	Product Code	Size (mm) (L x B x H)	Weight
Symphony Round	IC 34 11	280 x 280 x 76	5.5 Kg.

### Applications

- Hotels
- Restaurants
- Showrooms
- Entrance Halls
- Cinema Halls
- Luxury Homes



For Pricing Enquiry : [sales@GoldwynLED.com](mailto:sales@GoldwynLED.com)

## SYMPHONY

### Specifications

Input Voltage	: 230 V AC
Frequency	: 50/60 Hz
Power Factor @230 VAC	: > 0.9
Colour Temperatures	: 3000 K / 4000 K
Colour Rendering Index	: > 75
Operating Temperature	: -20° C to 50° C
Ingress Protection	: IP20
Life Span	: 50,000 Hours
Safety Standard	: IEC 60598
EMC/ EMI Standard	: IEC61547 / EN55015
Harmonics	: IEC 61000-3-2

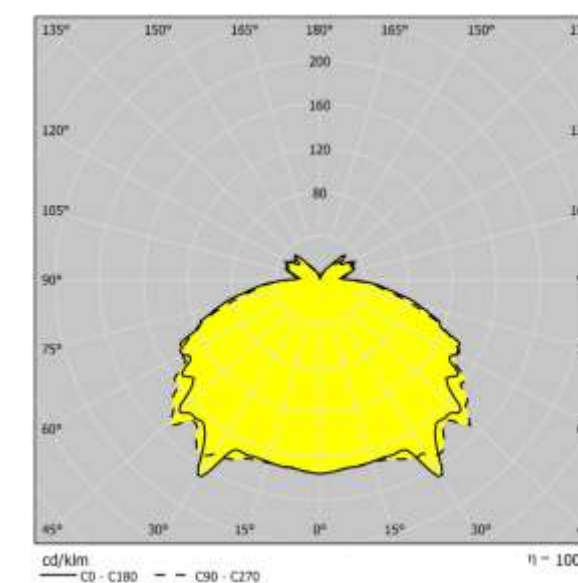
Product	Product Code	Input Power	System Lumens
Symphony Round	IC 34 11	20 Watts	1100

Specifications subject to change



### Photometric Data

Polar Candela Distribution



### Cone Diagram for IC 34 11

Beam Angle (°)	Beam Diameter (mm)	Beam Area (mm²)	Beam Length (mm)	Beam Volume (mm³)	Beam Weight (Kg)
0.5	3.42	3.21	3.42	3.80	0
1.0	6.84	6.42	6.84	15.2	1
1.5	10.26	9.63	10.26	38	1
2.0	13.68	12.84	13.68	75	1
2.5	17.10	16.05	17.10	125	0
3.0	20.52	19.26	20.52	190	0