



TREE Post Top Light

Product Design Registered



Features

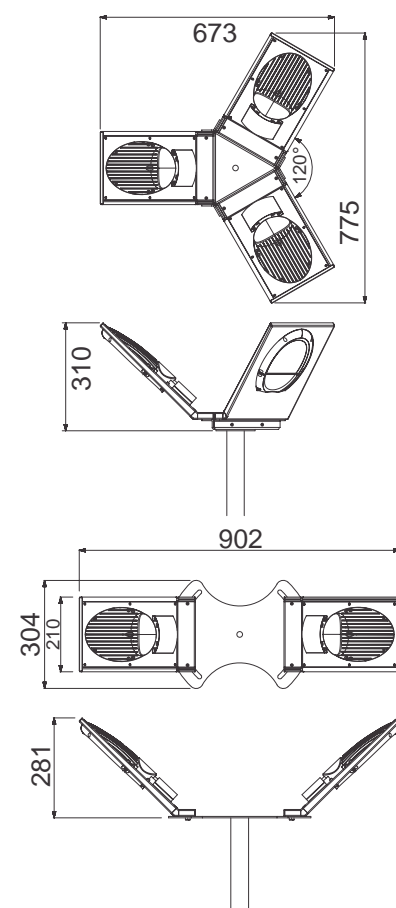
- Mounting: Pole Top
- High Grade pressure die cast aluminium heat sink
- High Impact resistant clear/opal polycarbonate cover
- High corrosion resistant powder coating for excellent durability
- Best in class power LEDs
- Inbuilt electronic driver
- Standard Body Colour : Black / Red. Other options available.

Mechanical Features

| Product Code | Size (mm) L x B x H | Weight |
|--------------|------------------------|--------|
| ME 02 11 | 902 x 204 x 281 | 12 Kg. |
| ME 02 12 | 775 x 675 x 310 | 15 Kg. |

Applications

- Parks
- City Plaza
- Campuses
- Urban Estates
- Public Outdoor Light



For Pricing Enquiry : sales@GoldwynLED.com

Post Top Light

TREE

Specifications

| | |
|------------------------|----------------------------|
| Input Voltage | : 100 V - 265 V AC |
| Frequency | : 50/60 Hz |
| Power Factor @230 VAC | : > 0.9 |
| Colour Temperatures | : 3000 K / 4000 K / 6000 K |
| Colour Rendering Index | : > 85 |
| Lumen Efficacy | : > 100 Lumens per Watt |
| Operating Temperature | : -20° C to 50° C |
| Ingress Protection | : IP65 |
| Impact Protection | : IK10 |
| Life Span | : 75,000 Hours |
| Safety Standard | : IEC 60598 |
| EMC/ EMI Standard | : IEC61547 / EN55015 |
| Harmonics | : IEC 61000-3-2 |

| Product Code | Input Power | System Lumens | Number of Lights |
|--------------|-------------|---------------|------------------|
| ME 02 11 | 40 Watts | 4000 | 2 |
| ME 02 12 | 60 Watts | 6000 | 3 |

Specifications subject to change

